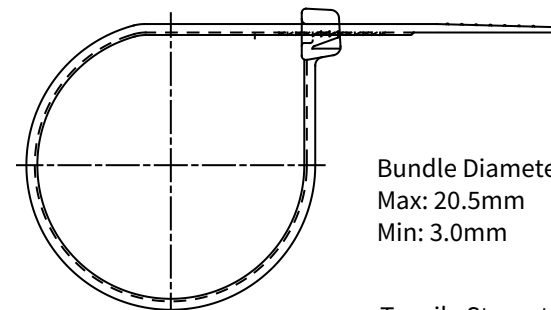


Tolerance unspecified  
 mm (Inch)  
 X.XXX ±0.1 (0.004)  
 X.XX ±0.25 (0.010)  
 X.X ±0.5 (0.02)  
 X. ±1.0 (0.04)  
 ANGULAR ± 2°

3.2  


1. MATERIAL Natural: Polyamide 6.6 natural
2. MATERIAL Black: Polyamide 6.6 natural+ ~1% carbon black
3. Flammability of raw material : UL 94 - V2
4. Humidity absorption: 2,7% - 2,8% (23° C - 50% R.H.)
5. Installation temperature: -10° C ÷ +85° C
6. Working temperature: -40° C ÷ +85° C
7. Max sustainable temperature for short time: +110° C
8. Good resistance to bases, oils, greases, oil derivates, chloride solvents. Limited resistance to acids. Not resistant to phenols.
9. Carbon black addition gives a better UV resistance
10. Halogen free
11. Comply with UL62275, and EN62275



Bundle Diameter:  
 Max: 20.5mm  
 Min: 3.0mm

Tensile Strength: 8kgs (18lb)