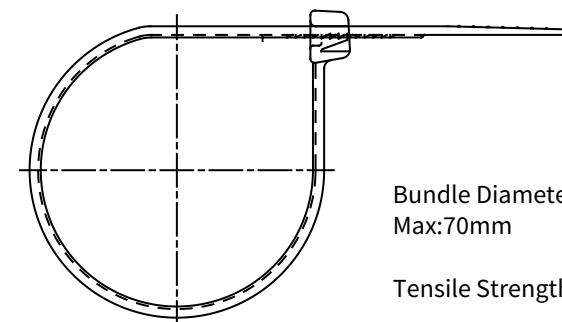


Tolerance unspecified
mm (Inch)
X.XXX ± 0.1 (0.004)
X.XX ± 0.25 (0.010)
X.X ± 0.5 (0.02)
X. ± 1.0 (0.04)
ANGULAR $\pm 2^\circ$



1. MATERIAL Natural: Polyamide 6.6 natural
2. MATERIAL Black: Polyamide 6.6 natural+ ~1% carbon black
3. Flammability of raw material : UL 94 - V2
4. Humidity absorption: 2,7% - 2,8% (23° C - 50% R.H.)
5. Installation temperature: -20° C ÷ +85° C
6. Working temperature: -40° C ÷ +85° C
7. Max sustainable temperature for short time: +110° C
8. Good resistance to bases, oils, greases, oil derivates, chloride solvents. Limited resistance to acids. Not resistant to phenols.
9. Carbon black addition gives a better UV resistance
10. Comply with UL62275, and EN62275



Bundle Diameter:
Max: 70mm

Tensile Strength: 334N(75lb)