

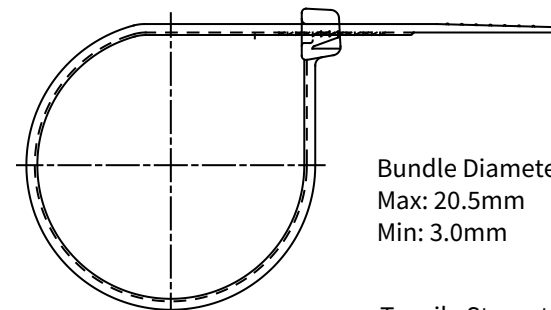
Tolerance unspecified
mm (inch)

X.XXX	±0.1	(0.004)
X.XX	±0.25	(0.010)
X.X	±0.5	(0.02)
X.	±1.0	(0.04)

ANGULAR ± 2°

3.2
V

1. MATERIAL Natural: Polyamide 6.6 natural
2. MATERIAL Black: Polyamide 6.6 natural+ ~1% carbon black
3. Flammability of raw material : UL 94 - V2
4. Humidity absorption: 2,7% - 2,8% (23° C - 50% R.H.)
5. Installation temperature: -10° C ÷ +85° C
6. Working temperature: -40° C ÷ +85° C
7. Max sustainable temperature for short time: +110° C
8. Good resistance to bases, oils, greases, oil derivates, chloride solvents. Limited resistance to acids. Not resistant to phenols.
9. Carbon black addition gives a better UV resistance
10. Halogen free
11. Comply with UL62275, and EN62275



Bundle Diameter:
Max: 20.5mm
Min: 3.0mm

Tensile Strength: 8kgs (18lb)